

Technical Bulletin

2 Automatic Road, Suite 108
Brampton, Ontario
Canada L6S 6K8

Number: 51 *Integra32™ EXIT READER INTERFACE*

The EXITRDR board enhances the IRC2000 and URC2000 panels by allowing the connection of two readers to a single reader port. A single reader port can now have an 'In' and an 'Out' reader.

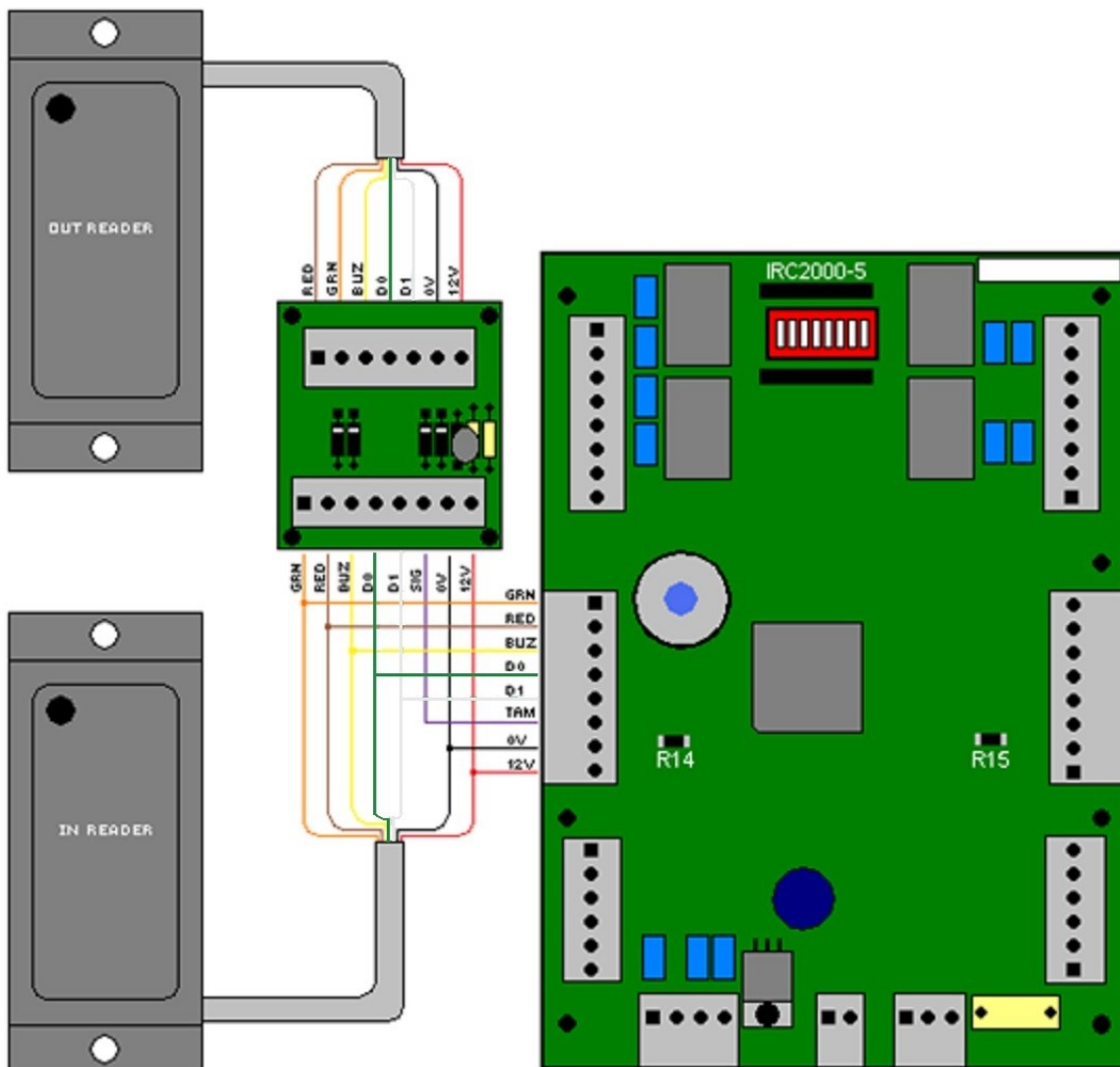


Figure 1

The EXITRDR200 board along with Integra32 software version 3.5 (or higher), the proper hardware, and proper firmware for the controller will allow the installation of two readers per door. Use either the IRC2000-4 (or higher) or the URC2005-2 (or higher) controller. The proper firmware version for the IRC2000 controller is version 103 or higher. The proper firmware version for the URC2000 controller is version 13 or higher.

The EXITRDR board has a separate connection for the “EXIT READER” and parallels the “ENTRY READER” connections to the reader port of the controller. Both reader ports on the controller can be used allowing up to four readers on a single controller.

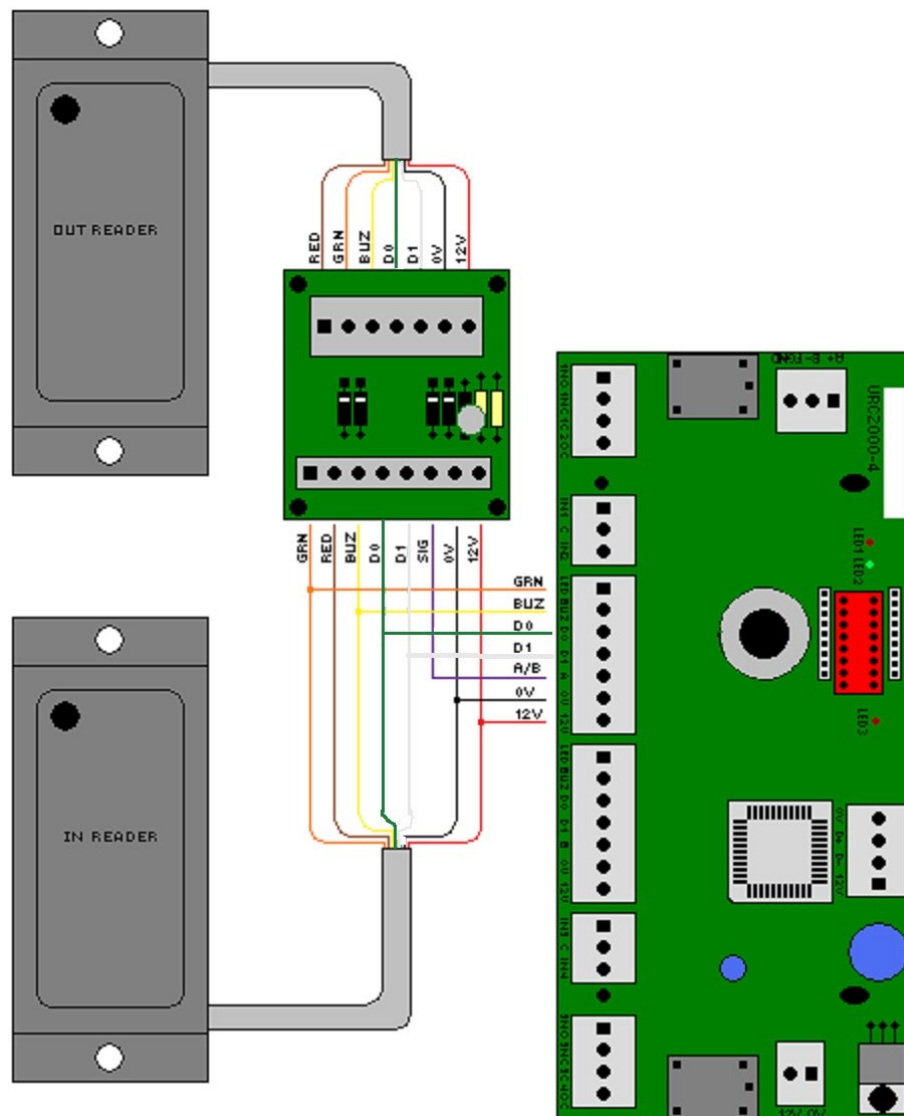


Figure 2

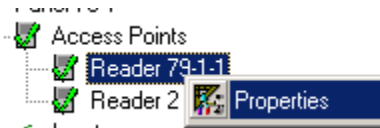
A special signal is sent via the “SIG” output whenever the “EXIT READER” reads a card. On the IRC2000 controller this signal should be connected to the “TAM” input on the reader port (see *figure 1*) and on the URC2005 controller this signal should be connected to either the “A” terminal for use with the “A” reader or the “B” terminal for use with the “B” reader (see *figure 2*).

If local antipassback is used it will only be for the two readers connected to one reader port. The Entering reader is the “in” reader and the Exiting reader is the “out” reader. Whenever a card is downloaded the cardholders’ status is set to “out”, meaning only the “in” reader to allow access.

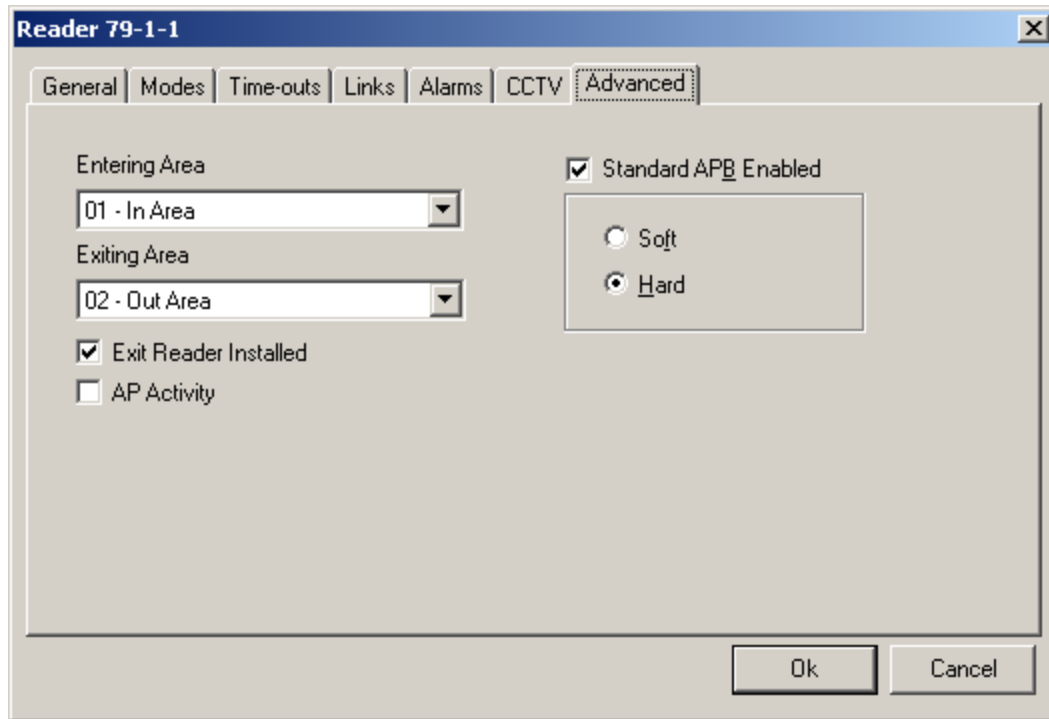
If Global Antipassback is selected then the software will handle the antipassback functionality, and if the panel goes offline then no antipassback functionality will exist.

Integra 32™ Software Configuration

To configure Exit Reader in Integra32™ software, right click on the *Access point*, for which Exit Reader Module is connected and click on *Properties*



Select the *Advanced* tab in *Access point Properties* window:



Make sure to check in the box for *Exit Reader Installed*. Rest of the setup is as per the Antipassback required.