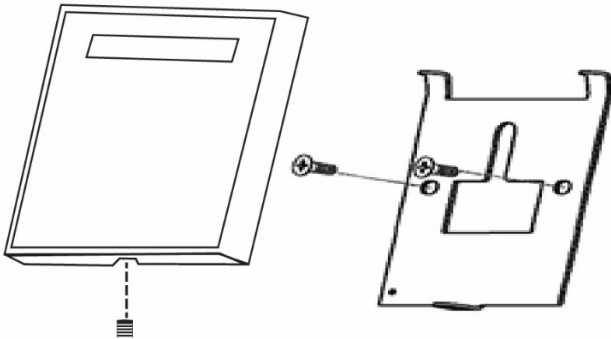




Specifications

The **Blueline series of credential readers** combines proven technologies of the past with the emerging technologies of today. Through one product line a customer can maximize the benefits of Mifare, Desfire, Fingerprint, OSDP, Ultra-High Secure Credentials (UHSC), NFC, and Bluetooth to create a customizable security solution that's right for their infrastructure. Blueline is an ergonomically esthetically pleasing design that fits all solutions from the smallest user to the largest corporations.

Mounting: Surface (two anchored screws)



Cabling: Wiegand – 500' (152m) max, 18-22AWG, 6-8 conductor shielded and stranded cable
OSDP – 2,000' (610m) max, 18-22AWG, twisted stranded shielded pair.

Type	<u>R86</u>	<u>RK86</u>
	Reader	Reader/Keypad
Technology	Desfire / Bluetooth / NFC	
Frequency	13.56MHz	
Housing	ABS	
Voltage	DC 9-15V	
Current Draw	80mA @ 12Vdc	
Read Range	Wiegand – up to 7cm (dependent on credential) Apps – up to 12m	
Communications	Wiegand, OSDP (ver. 1 & 2)	
Tamper	Audio tone on backplate removal. (message on OSDP only)	
Operating Temp.	-22°F to 158°F (-30°C to +70°C)	
Audio Tone	Built-in Piezo sounder	
Visual	Tri-colour LED	
Warranty	Limited lifetime warranty	
Rating	IP-67	
Certification	FCC, CE	

Wiring:

Red: 9-12vdc
 Black: Gnd
 Brown: RS485+
 Orange: RS485-
 Green: WD0
 White: WD1
 Blue: LED
 Yellow: Buzzer